

TPS61220DCKR Texas Instruments

High quality TPS61220DCKR Texas Instruments is offered by China supplier called XT-ShenZhen. TPS61220DCKR Texas Instruments is an adjustable synchronous boost regulator chip designed by Texas Instruments (TI) in the United States, which can be programmed by an external resistor divider or internally set to a fixed output voltage. Suitable for solar or fuel cell powered applications, consumer and portable medical products, etc. To learn more about our field of electronic components, you are welcomed to come to XT-ShenZhen® to buy the latest selling, low price, and high-quality products. We look forward to

cooperating with you.

TPS61220DCKR Texas Instruments is an adjustable synchronous boost regulator chip designed by Texas Instruments (TI) in the United States, which can be programmed by an external resistor divider or internally set to a fixed output voltage. Suitable for solar or fuel cell powered applications, consumer and portable medical products, etc. To learn more about our field of electronic components, please contact us!!! Welcome to buy Toluene from us. Every request from customers is being replied within 24 hours. And XT-ShenZhen® will offer you the best after-sale service and timely delivery.

Product description

The single output of the TPS61220DCKR Texas Instruments can generate up to 0.5 A. The best way to power your application is to use this converter, which requires a voltage of at least 0.7 V and no higher than 5.5 V. With an adjustable output voltage of 1.8 to 5.5 V, this is the best power management. The converter has an efficiency of 95%. With 0.5% load regulation and 0.5% line regulation, your circuit is able to maintain a constant voltage level at the output. This section provides a switching frequency of 2000 kHz for normal operation.

Product features

- Typical operating efficiency up to 95%.
- 5.5µA quiescent current
- Boot to load at 0.7 V input voltage
- The operating input voltage range is 0.7 V to 5.5 V
- Pass-through function on shutdown
- Minimum switching current 200 mA
- Protection:

Shenzhen Zhen Rong Era Supply Chain Management Co., Ltd.

Tel: +86-755-83240078

E-mail: jack-sellandbuycomponents@xt-shenzhen.cn

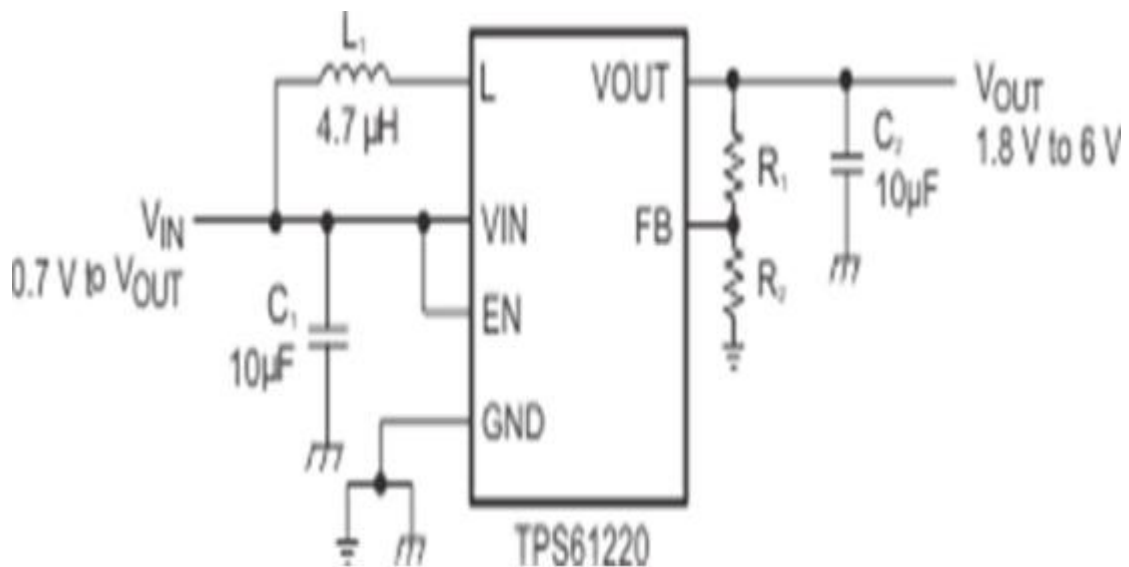
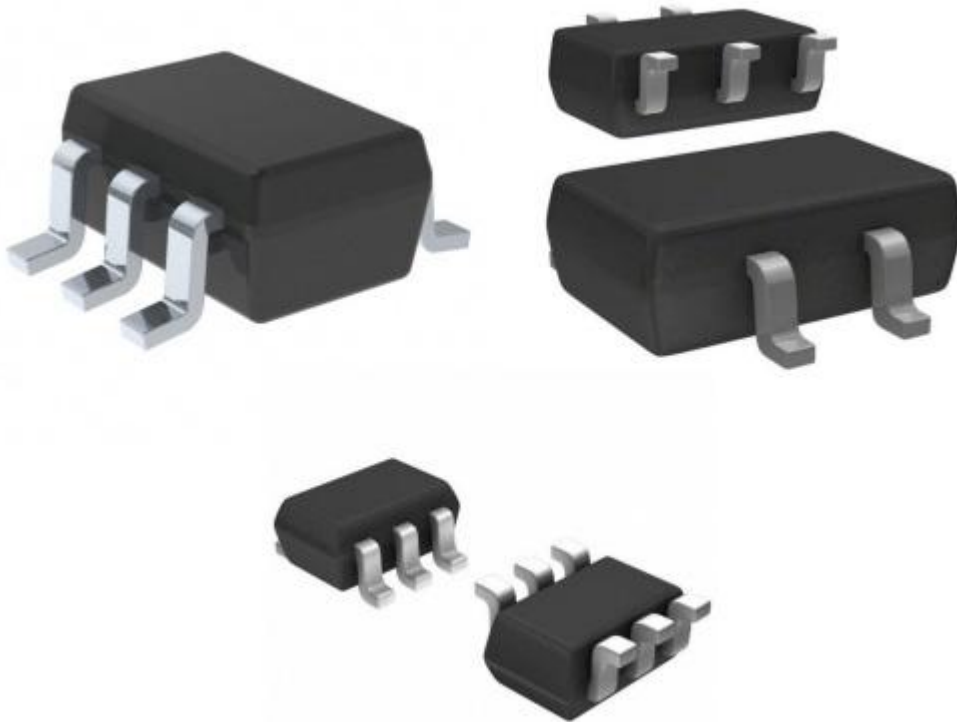
Phone: +86-13927462033

- Output overvoltage
- Overtemperature
- Input undervoltage lockout
- Adjustable output voltage from 1.8 V to 6 V
- Fixed output voltage version
- Small 6-pin SC-70 package

Product parameters

Technical parameters	Output current	200mA
	The number of pins	6
	Quiescent current	5.00 μ A
	Switching frequency	2MHz
	Input Voltage (Max)	5.5V
	Input Voltage (Min)	0.7V
	Output Voltage (Max)	5.5V
	Output Voltage (Min)	1.8V
	Operating Temperature (Max)	85°C
	Operating Temperature (Min)	-40°C
	encapsulation	SC-70-6
	Packaging	Tape&Reel (TR)

Product images



FAQ

Q: Where is your company?

A: Our company is registered in Shenzhen, China.

Q: How long do you need to give me a quote?

A: On weekdays, after receiving your information, a quote will be sent to you within the same day.

Shenzhen Zhen Rong Era Supply Chain Management Co., Ltd.

Tel: +86-755-83240078

E-mail: jack-sellandbuycomponents@xt-shenzhen.cn

Phone: +86-13927462033

Q: How do you pack your goods?

A: Each of our shipments is vacuum vacuumed and packed. Make sure there is no damage during shipping.

Shenzhen Zhen Rong Era Supply Chain Management Co., Ltd.

Tel:[+86-755-83240078](tel:+86-755-83240078)

E-mail:jack-sellandbuycomponents@xt-shenzhen.cn

Phone:[+86-13927462033](tel:+86-13927462033)